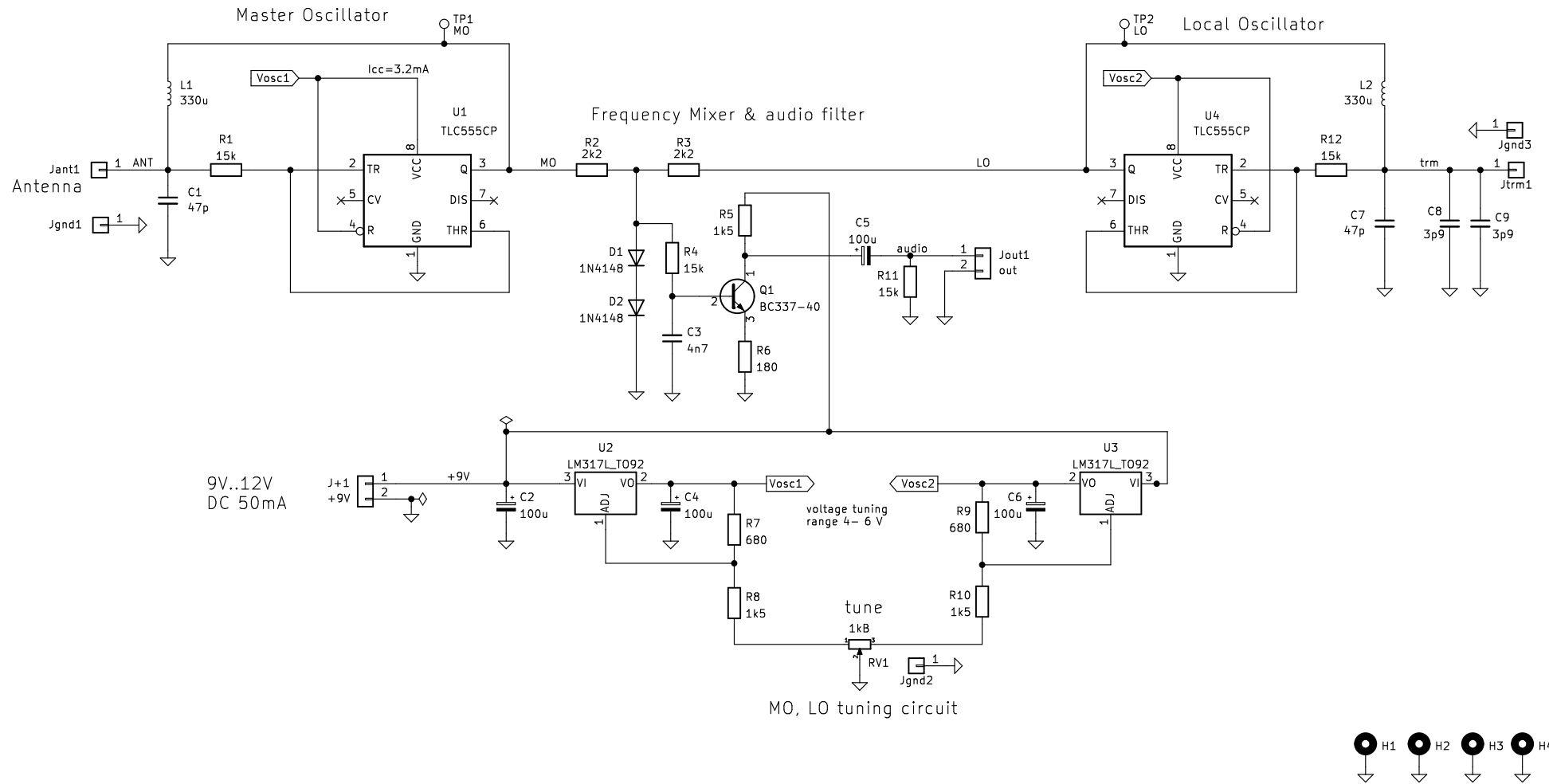


# Theremin w. CMOS-555



CC NC BY SA elektrouwe 2023



www.kulturgueter-schuppen.de	
Sheet: /	
File: theremin_555.kicad_sch	
<b>Title: CMOS-555 Theremin</b>	
Size: A4	Date: 2023-02-23
KiCad E.D.A. kicad (7.0.0)	Rev: 1.0
	Id: 1/1